

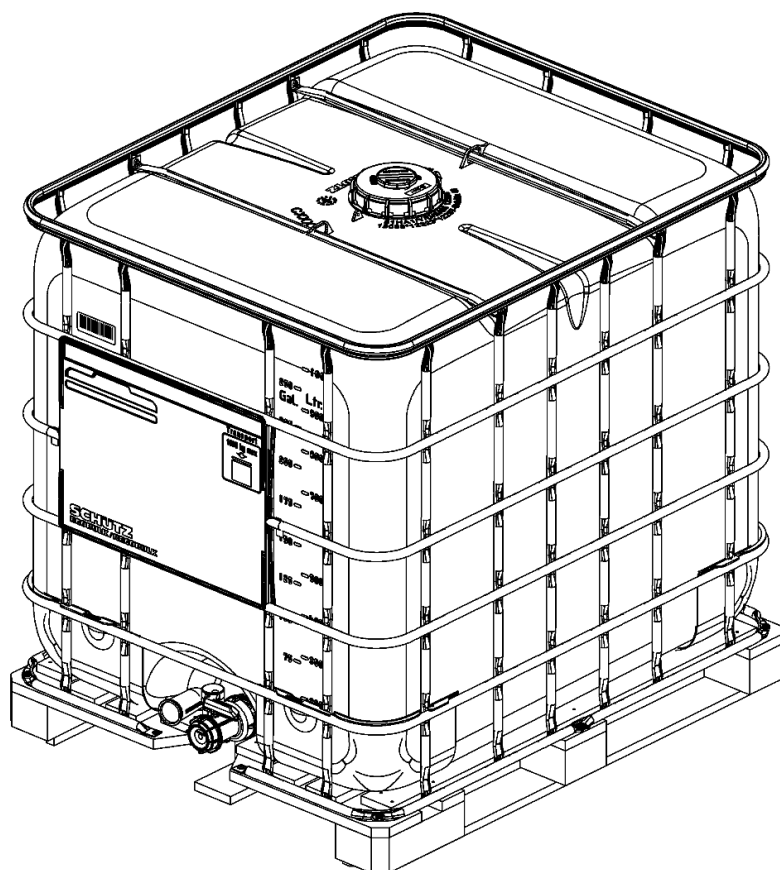
Packaging - Specification ECOBULK



Transportcontainer ECOBULK 1000 ltr.
 LX1000 UN Nat/150R TP 2"Vent
 Bfly 50 00 Met 3PCA/Wood skid=>HT-F
 2-Plt LG:LG/TI

Article-No. **4003711**

Date Dec 5, 2018
Page 1 / 4



This picture is for illustration purpose only and does not necessarily correspond to the specified product.

Weights and measures

Nominal Capacity	1.000 l	275 gal US
Brimful Capacity	1 060 l	280 gal US
Length	1 200 mm	47,24 in
Width	1 000 mm	39,37 in
Height with pallet	1 160 mm	45,67 in
Total weight approx.	63,5 kg	140,0 lbs US

Pallet

Pallet type	Wood-skidpallet, HTF
Opening height	min. 90mm, 4-way entry

Outer container

Packaging - Specification ECOBULK

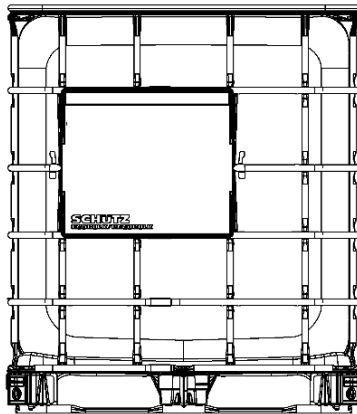
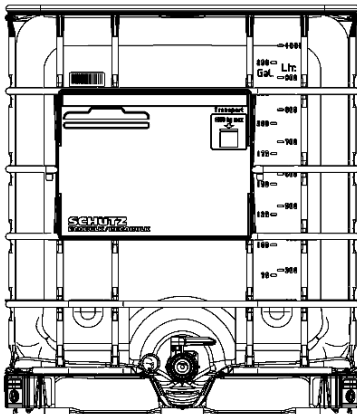


Transportcontainer ECOBULK 1000 ltr.
 LX1000 UN Nat/150R TP 2"Vent
 Bfly 50 00 Met 3PCA/Wood skid=>HT-F
 2-Plt LG:LG/TI

Article-No. **4003711**

Date **Dec 5, 2018**
Page **2 / 4**

Grid	Steel, galvanized
Corner protector	black
Label plate	large - 6 field, with Schütz-Ticket
additional label plate	back side - standard



Inner container
 Rectangular blow molded tank of high density polyethylene
 Container PE-HD, natural

Filling opening
 Screw cap DN150 / 6", PE-HD, red
 O-ring gasket TPE
 Sealing-cap red



Packaging - Specification ECOBULK



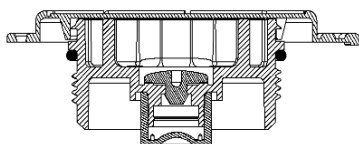
Transportcontainer ECOBULK 1000 ltr.
 LX1000 UN Nat/150R TP 2"Vent
 Bfly 50 00 Met 3PCA/Wood skid=>HT-F
 2-Plt LG:LG/TI

Article-No. **4003711**

Date Dec 5, 2018
Page 3 / 4

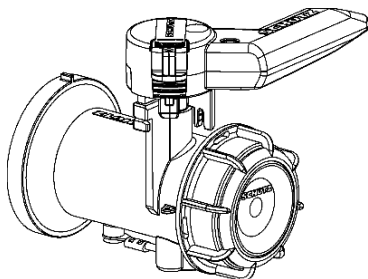
Plug

G2"plug w/vent (Silicone)



Discharge opening

Outlet valve	integr.butterfly-valve DN50/2"
Case	PE-HD
Connection thread	metric
Flap gasket / Ball gasket	PP
Handle color	blue, Handle protection
Screw cap	PE-HD
Screw cap gasket	PE, foamed
Screw cap color	black
Outlet nozzle	PE-HD, packed



Features

UN-Marking

UN_31HA1/Y/mm yy/D/BAM14978-Schütz#/3102/1723/1060l/62kg/100kPa

Heavy metals

Concentration level of heavy metals (Pb, Cd, Cr VI and Hg) in packaging does not exceed 100 ppm

Delivery

Ready for filling. The customer or filler is responsible for testing the material compability of the filling material with the packaging

User information:

By implementing and continually improving extensive preventive programmes, SCHÜTZ strives towards minimising the potential contamination risk for filling material in line with the current state of the art and in accordance with recognised und applicable quality and system standards. In industrial manufacturing, however, the possibility of particles arising cannot be fundamentally and entirely eliminated. Specifically for plastic and steel packaging, unavoidable friction during opening and closing as well as static charging of the packaging contribute to the development of particles and/or the possibility of particles being attracted. Such particles can then also invariably penetrate the packaging interior. With the goal of minimising the risk of particle formation and transmission into packaging, users are recommended – particularly during further processing – to keep packaging closed wherever possible and to keep the number of opening and closing procedures as low as possible. In the case of sensitive filling materials or filling material applications (e.g. for food/pharmaceutical products, paint or electro-chemicals), it is also recommended that the filling material is filtered on removal or prior to further processing.

Packaging - Specification
ECOBULK**SCHÜTZ**Transportcontainer ECOBULK 1000 ltr.
LX1000 UN Nat/150R TP 2"Vent
Bfly 50 00 Met 3PCA/Wood skid=>HT-F
2-Pit LG:LG/TI**Article-No. 4003711****Date Dec 5, 2018**
Page 4 / 4

SCHÜTZ reserves the right to change the construction, technology, design and material of the product or individual components without notice. The dimensions and weights given here are approximate and can vary according to the configuration of the individual components. For other product details and operating information concerning the correct handling of our packaging, please consult our Handling Guide.